

DPR100 A/B

ANALOGUE SCALES PEN AND MULTIPOINT PRODUCT SPECIFICATION SHEET

EN01-6030 06/2003

PRODUCT DESCRIPTION

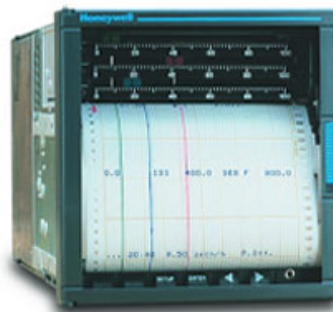
The DPR 100 is a low cost, high functionality 100 mm chart-width microprocessor-based recorder that has been designed for general purpose applications worldwide. Its design meets the requirements of quality, ruggedness, flexibility, ease of use and optimum price/functionality combination.

The DPR100 exists in two versions :

- DPR100 A, a 1 to 3 continuous pen recorder ;
- DPR100B, a 3 or 6 channel multipoint recorder

The DPR100 has been designed for applications in the metal, glass, ceramics and utilities industries, as well as for the new and fast growing markets related to :

- Environmental monitoring
- Health and sanitation
- Food processing
- Pilot plants and laboratories



DPR100 A Analogue Scales
1 to 3 continuous pens



DPR100 B Analogue Scales
3 or 6 channel multipoint

MAIN FEATURES

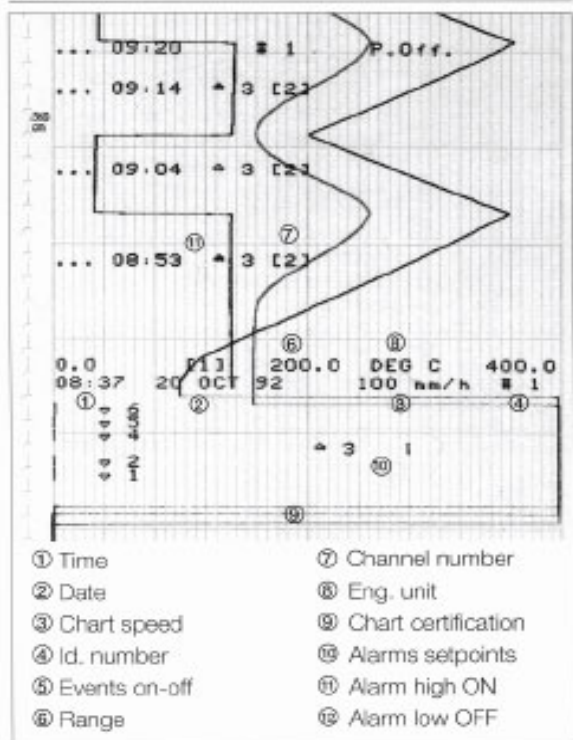
- Microprocessor-based.
- 1, 2 or 3 pens, or 3 or 6 channels multipoint.
- 100 mm chart width (DIN 16230).
- 0.25% accuracy full scale (IEC 873).
- Analogue displays with a wide selection of ranges and scales.
- Fully configurable universal inputs (T/C, RTD, High level).
- Roll or fan fold chart paper.
- Chart documented with date, time, range, engineering unit, chart speed, identification number, alarm set-points and events.
- Up to 6 alarm relay outputs (Pen:2 alarm set-points per pen, Mpt:1 alarm set-point per channel)
- Up to 2 optional logic inputs for event recording, print inhibit and change speed.
- Non-volatile memory.
- 2 configurable chart speeds (Pen : 10 to 6000 mm/h ; Mpt : 10 to 1500 mm/h).
- Simplified product configuration with prompts printed on the chart.
- Full product configuration by PC software connected by a front jack connector.
- Product calibration to certify input sensor : zero, span adjustments per channel.
- Universal power supply : 85 to 264 VAC 50/60 Hz, 24 or 48 AC/DC.
- IP54 front protection (IEC 529)
- Permanent operation up to 60 °C (140°F) with chart roll, 50°C (120°F) with fanfold,
- Compact dimensions : 144 x 144 mm x 245 mm (5.67" x 5.67" x 9.7")

OPTIONS

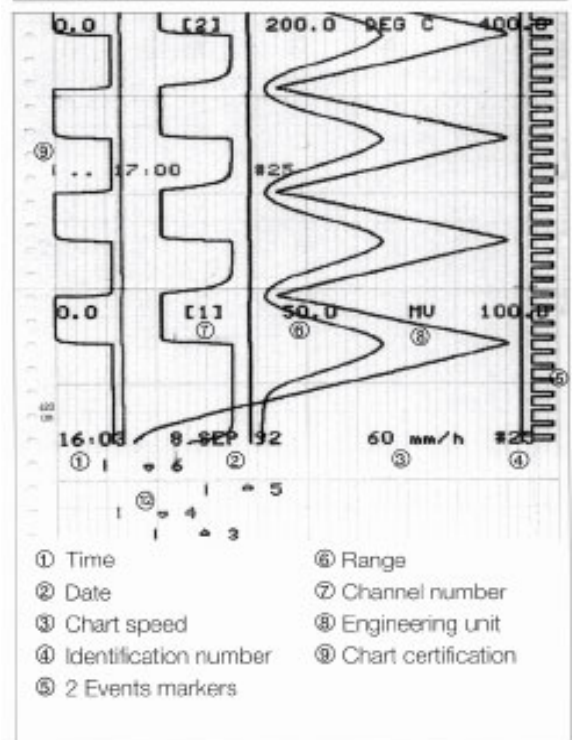
- Illuminated chart
- Key lock
- Rear terminal cover
- 24 Vdc 75 mA max. to supply 3 transmitters
- Pen offset compensation
- 2 logic inputs
- 2 or 6 alarms output
- Portable unit

When roll paper is used, at any time more than 90 mm (3.54") of chart is visible. This corresponds to 4 1/2 hours at 20 mm/h (0.79 in/h). When fan folder is is used, 35 to 80 mm (1.4 to 3.1") of chart is visible.

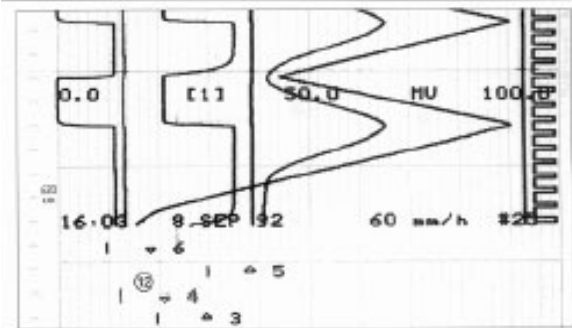
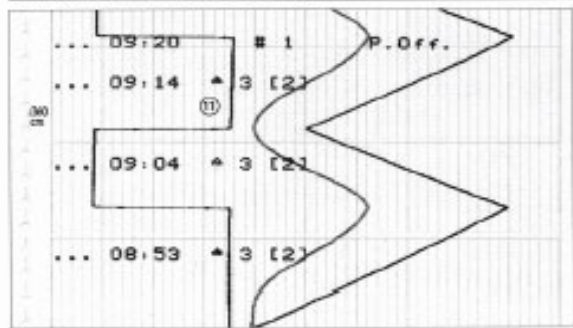
PEN



MULTIPOINT



Alarms are indicated clearly.



DPR100 A Pen Recorder: Writing Speed

Chart Speed		Chart documentation
Up to 700 mm/hr	Up to 28 in/hr	Chart fully documented
700 to 1000 mm/hr	28 to 40 in/hr	Alarm messages but no chart scales
1000 to 6000 mm/hr	40 to 240 in/hr	Traces only

DPR100 B Multipoint Recorder: Writing Speed

#Inputs (See Note 1)	Continuous traces in colour with full chart documentation mm/hr (in/hr)	Dotted traces in colour with full chart documentation	Dotted traces in colour without chart range markings. Alarm messages are printed.
1	10 to 1200 (0.5 to 48)	-	1200 to 1500 (48 to 60)
2	10 to 925 (0.5 to 37)	925 to 1000 (37 to 40)	1000 TO 1500 (40 TO 60)
3	10 to 775 (0.5 to 31)	775 to 1000 (31 to 40)	1000 TO 1500 (40 TO 60)
4	10 to 650 (0.5 to 26)	650 to 1000 (26 to 40)	1000 TO 1500 (40 TO 60)
5	10 to 550 (0.5 to 22)	550 to 1000 (22 to 40)	1000 TO 1500 (40 TO 60)
6	10 to 475 (0.5 to 19)	475 to 1000 (19 to 40)	1000 TO 1500 (40 TO 60)
7	10 to 400 (0.5 to 16)	400 to 1000 (16 to 40)	1000 TO 1500 (40 TO 60)
8	10 to 350 (0.5 to 14)	350 to 1000 (14 to 40)	1000 TO 1500 (40 TO 60)

Note: Number of traces: up to 6 analogue inputs and 4 digital event traces.

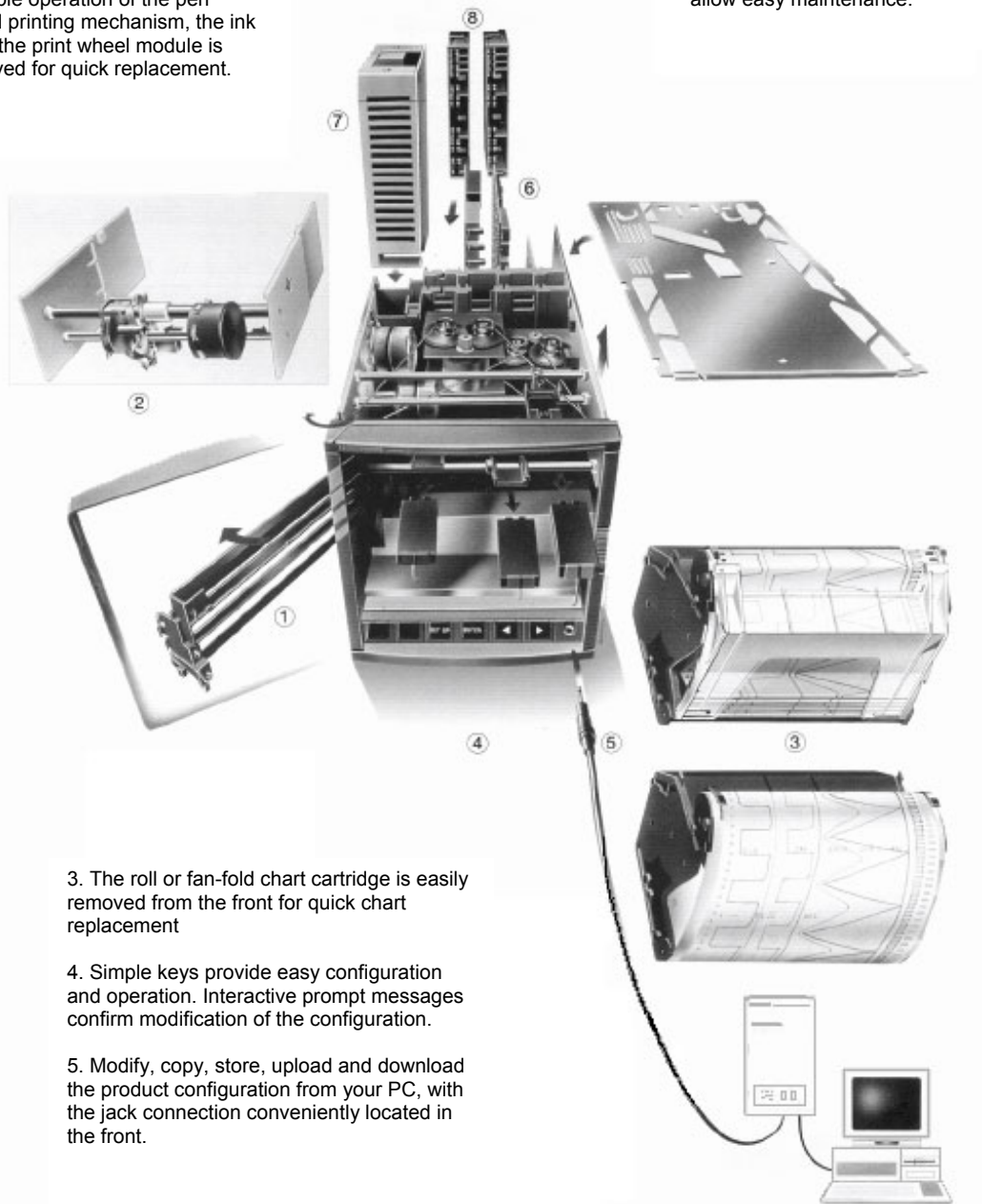
1. Process data is clearly displayed on analogue linear scales. Each "thin line" index displays precise values in colours that are visible up to 5 meters from the recorder.

2. The compact pen carriage module and high quality servo-motor chart drive ensure reliable operation of the pen carriage and printing mechanism, the ink cartridge or the print wheel module is easily removed for quick replacement.

6. The universal input card module with 2 logic and 3 analogue inputs reduces configuration time.

7. The universal power supply accepts virtually any AC or DC voltage.

8. The plug-in rear terminal blocks allow easy maintenance.



3. The roll or fan-fold chart cartridge is easily removed from the front for quick chart replacement

4. Simple keys provide easy configuration and operation. Interactive prompt messages confirm modification of the configuration.

5. Modify, copy, store, upload and download the product configuration from your PC, with the jack connection conveniently located in the front.

Technical data**DPR100 A/B**

Chart speed Speed setting Stepping chart motor	1 or 2 chart speeds, fully configurable, selected by a logic input, Speed 1 : fully adjustable per step of 1 mm/h (0.04in/hr), within limit Speed 2 : choice as per the model selection guide Pen : 10 to 6000 mm/h (0.5 to 240"/h). Mpt : 10 to 1500 mm/h (0.5 to 60"/h). Resolution 0.12 mm (0.005 in)
Alarms (option) Pen 1,2,3 or Mpt 3 CH Mpt (6 CH) Hysteresis Outputs Rating contact	2 alarm set-points, per channel, (factory set* 1 low, 1 high) 1 alarm set-point per channel, (factory set* high) 0.5% to 99% of Scale (Factory Set at 0.5%) Up to 6 alarm relays output contacts. 1 SPST normally closed contact (may be configured into normally open contact) 2 A, 250 VAC on resistive loads. * other alarm selections configured using the PC configuration software.
Power supply To transmitters Power consumption	100 to 240 VAC, 50/60 Hz or 24 or 48 VAC/DC (+10-15% nominal) 24 VDC, 50 mA max. (optional) 3 pens & Mpt : 30 VA max.
Clock timer Format Power interruption Accuracy	Year, month, hour, minute can be set Battery backed (10 years time, 3 years off power) ± 10 ⁻⁵
Packaging Weight Front face Depth Front window Front protection Lock Cut out Construction Optional	Pen & Mpt : 3.5 kg (7.7lbs) 144 x 144 mm (5.67" x 5.67") according to DIN 43718 245 mm (9.7") behind panel, including terminals and line protection cover Acrylic IP 54 (IEC 529) Latch or key (DIN 43882-N) DIN 138 X 138 mm (5.43" x 5.43") Silicon-free Chart illumination Rear terminal cover
Mounting	Panel mounting ± 30° from horizontal (DIN 43834)
Wiring	Rear screw terminals. Terminal modules are plugged on the instrument
Writing Pen Multipoint	1 cartridge per pen, fibre tip, 1400 m (4500ft) of trace per colour (blue, red, green) 1 print wheel, 6 colours, 250m (820ft) of trace per colour (purple, red, black green, blue, brown)
Noise immunity	This product is in conformity with the protection requirements of the following European Council Directives: <ul style="list-style-type: none"> • 73/23/EEC, the Low Voltage Directive and 89/336/EEC, the EMC Directive. Conformity of this product with any other "CE Mark" Directive(s) shall not be assumed. • EMC Classification: EN 50081-2-1993 Electromagnetic Compatibility – General Emission Standard, Part 2: Industrial Environment. • EN 50082-2-1995 Electromagnetic Compatibility – General Immunity Standard, Part 2:Industrial Environment.

Technical data	DPR100 A/B
-----------------------	-------------------

Safety protection	Complies with EN61010-1 and UL 3121 for process control instrumentation. Pollution Degree 2. Installation Category II
Electrical insulation Input to input Input to ground Input to line voltage Line voltage to ground Alarm relay to ground Logic input to ground	Test voltage 350 VAC for 1 min (except for RTD input) or 280 VAC with option State Relay Test voltage 1.5 kV AC for 1 minute Test voltage 2.3 kV AC for 1 minute Test voltage 2.3 kV AC for 1 minute Test voltage 2.3 kV AC for 1 minute Test voltage 350 V AC for 1 minute
Temperature Ambient Storage	0 to 60°C (32 to 140°F) – Roll chart, 0-50°C (32 to 120°F) – Fan fold -40 to 70°C (-40 to +160°F)
Humidity Roll Fan-fold	10 to 90% RH non-condensing 15 to 80% RH non-condensing
Vibrations	Frequency 10 to 60 Hz, amplitude 0.07 mm; 60 to 150 Hz, acceleration 1 g

Accuracy	DPR100 A/B
-----------------	-------------------

Reference conditions Temperature Humidity Line voltage nominal Source resistance Series mode Common mode Frequency nominal Accuracy	20 °C ± 2 °C (68 °F ± 3 °F) 65 % RH ± 5 % RH ± 1 % 0 ohms 0 V 0 V ± 1 % 0.25% of total span (IEC 873)		
Rated limits and associated drifts	Parameter	Rated limits	Influence on accuracy
	Temperature	0 to 50°C (32 to 120°F)	0.1% per 10°C Cold junction 0.3°C/10°C
	Supply voltage	85 to 264 V AC	No influence
	Source resistance	T/C, mV	6 micro V per 100Ω of line resistance 1000Ω mm
		RTD	0.1°C per Ω in each wire balanced leads 40Ω max.
	Humidity	10 to 90% RH at 25°C	0.1 % max.
	Long-term stability		0.1 % per year
	Vibrations	2.5 mm (0.1") at 0 to 14 Hz 1 g at 14 to 250 Hz	
Extreme conditions:			
Operating Temperature Humidity	0 to 60°C (32 to 140°F) 10 to 90% RH non-condensing		
Storage Temperature Humidity	-40 to +70°C (-40 to 158°F) 5 to 95% RH non-condensing		

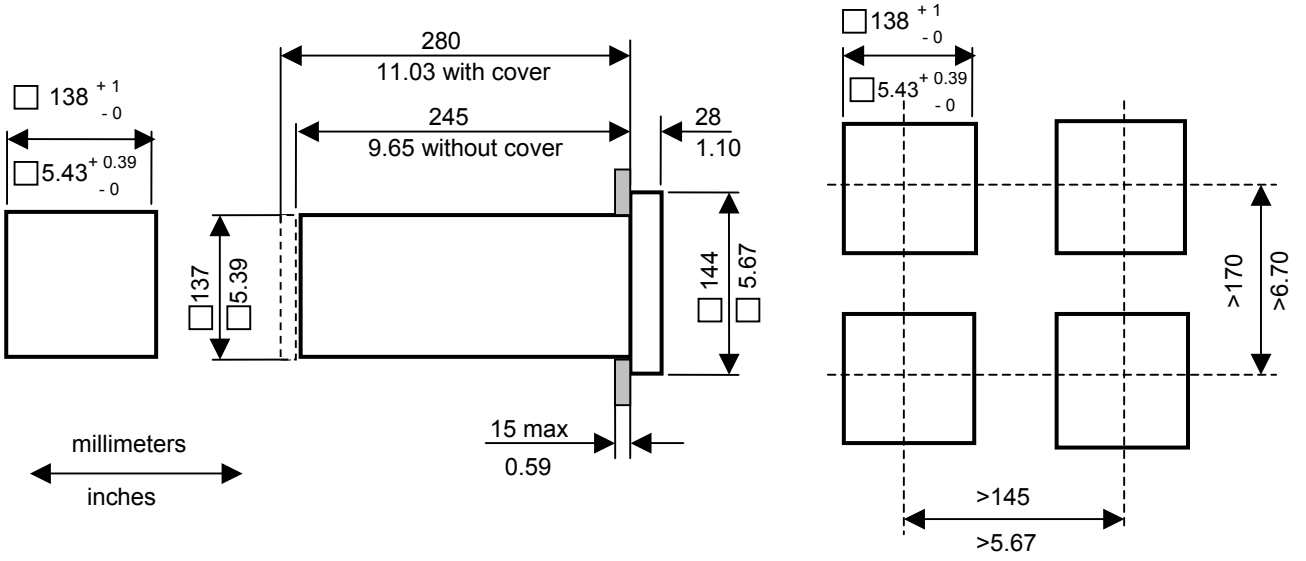
Available ranges

DPR100 A/B

Thermocouples		°C	°F
	J	-50 to +150 0 to 400 0 to 800	-100, 0, 300 0 to 800 0 to 1500
	K	0 to 400 0 to 800 0 to 1200 0 to 1400	0 to 800 0 to 1500 0 to 2400 0 to 2500
	Microsil-Nisil (N)	0 to 400 0 to 800 0 to 1200 0 to 1400	0 to 800 0 to 1500 0 to 2400 0 to 2500
	S	0 to 1600	0 to 3000
	R	0 to 1600	0 to 3000
	T	-100 to +200 0 to 150 50 to 150	-150 to +400 0 to 300 100 to 300
	Note : (provision to accept T/C input for remote compensation box at fixed temperature of 50°C or 60°C)		
RTD's		°C	°F
	Pt 100	-50 to +50°C	-60 to +140°F
	(Alpha = 0.00385)	-50 to +150	100, 0, +300
		0 to 100	0 to 200
		-200 to +200 0 to 400	-300 to +400 0 to 800
mV and Volt	0 to 10 mV	0 to 1 V	
	0 to 20 mV	0 to 5 V	
	0 to 50 mV	1 to 5 V	
	10 to 50 mV	0 to 10 V	
	0 to 100 mV		
mA	0 to 20 mA or 4 to 20 mA linear 4 to 20 mA SQRT input resistor 250 ohms required		

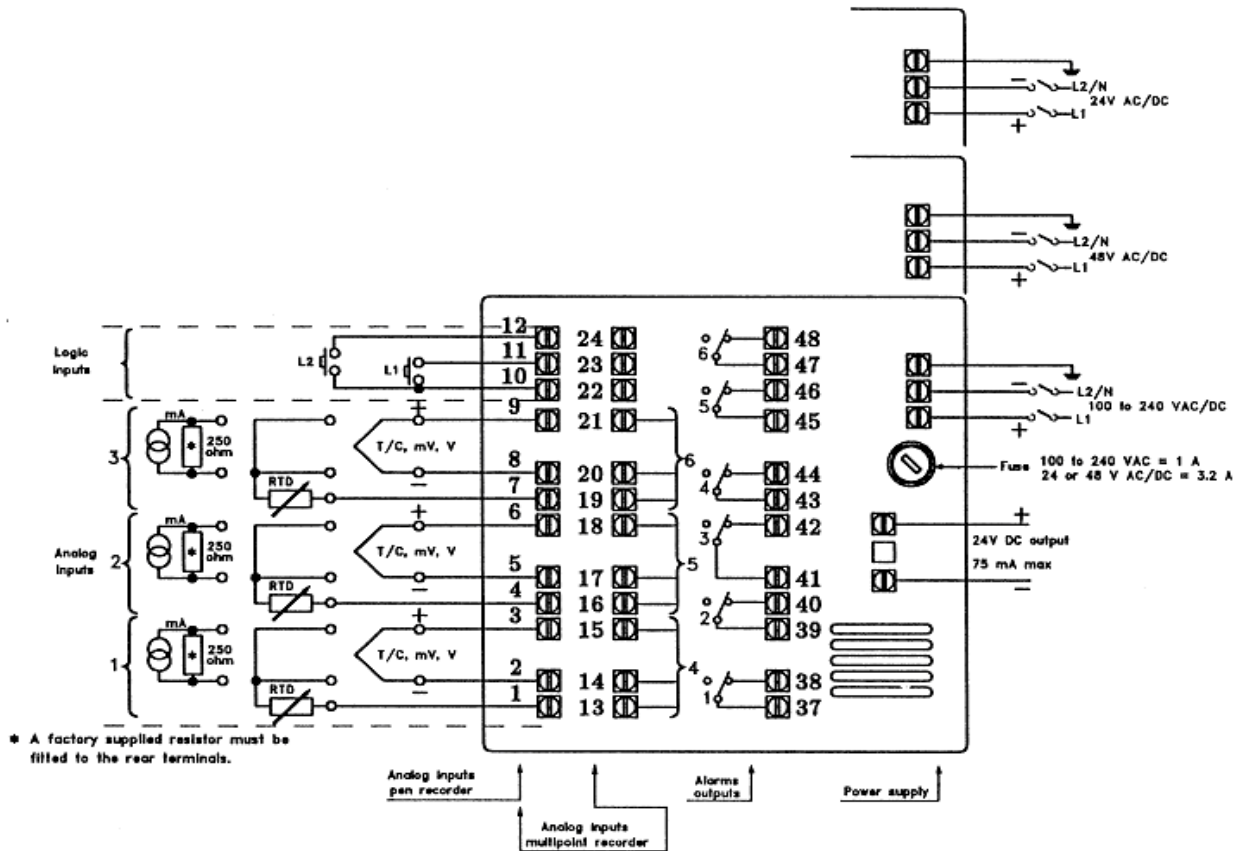
DIMENSIONS

DPR100 A/B



CONNECTIONS

DPR100 A/B



Sales and Service

For application assistance, current specifications, pricing, or name of the nearest Authorized Distributor, contact one of the offices below.

Warranty/Remedy

Honeywell warrants goods of its manufacture as being free of defective materials and faulty work-manship. Contact your local sales office of warranty information. If warranted goods are returned to Honeywell during the period of coverage, Honeywell will repair or replace without charge those items it finds defective. **The foregoing is Buyer's sole remedy and is in lieu of all other warranties, expressed or implied, including those of merchantability and fitness for a particular purpose.** Specifications may change without notice. The information we supply is believed to be accurate and reliable as of printing. However, we assume no responsibility for its use. While we provide application assistance personally, through our literature and the Honeywell website, it is up to the customer to determine the suitability of the product in the application.

ASIA PACIFIC

Control Products

Asia Pacific Headquarters
Phone: +(65) 6355-2828
Fax: +(65) 6445-3033

Australia

Honeywell Limited
Phone: +(61) 2-9370-4500
FAX: +(61) 2-9370-4525
Toll Free 1300-36-39-36
Toll Free Fax: 1300-36-04-70

China – PRC - Beijing

Honeywell China Inc.
Phone: +(86-10) 8458-3280
Fax: +(86-10) 8458-3102

China – PRC - Shanghai

Honeywell China Inc.
Phone: (86-21) 6237-0237
Fax: (86-21) 6237-1237

China - Hong Kong S.A.R.

Honeywell Ltd.
Phone: +(852) 2953-6412
Fax: +(852) 2953-6767

China – PRC - Chengdu

Honeywell China Inc.
Phone: +(86-28) 6786-348
Fax: +(86-28) 6787-061

China – PRC - Guangzhou

Honeywell China Inc.
Phone: +(86-20) 3879-1169
Fax: +(86-20) 3879-1269

China – PRC - Shenzhen

Honeywell China Inc.
Phone: +(86) 755-518-1226
Fax: +(86) 755-518-1221

Indonesia

Honeywell Indonesia Pte Ltd.
Phone: +(62) 21-535-8833
FAX: +(62) 21-5367 1008

India

TATA Honeywell Ltd.
Phone: +(91) 20 687 0445/0446
Fax: +(91) 20 681 2243/ 687 5992

Japan

Honeywell Inc
Phone: +(81) 3 5440 1425
Fax: +(81) 3 5440 1368

South Korea

Honeywell Korea Co Ltd
Phone: +(822) 799-6167
Fax: +(822) 792-9013

Malaysia

Honeywell Engineering
Sdn Bhd
Phone: +(60-3) 7958-4988
Fax: +(60-3) 7958-8922

New Zealand

Honeywell Limited
Phone: +(64-9) 623-5050
Fax: +(64-9) 623-5060
Toll Free (0800) 202-088

Philippines

Honeywell Systems
(Philippines) Inc.
Phone: +(63-2) 636-1661 /1662
Fax: +(63-2) 638-4013

Singapore

Honeywell South East
Asia
Phone: +(65) 6355-2828
Fax: +(65) 6445-3033

Thailand

Honeywell Systems
(Thailand) Ltd.
Phone: +(662) 693-3099
FAX: +(662) 693-3085

Taiwan R.O.C.

Honeywell Taiwan Ltd.
Phone: +(886-2) 2245-1000
FAX: +(886-2) 2245-3242

EUROPE

Austria

Honeywell Austria GmbH
Phone: +43 (316)400123
FAX: +43 (316)40017

Belgium

Honeywell SA/NV
Phone: +31(0)205656999
FAX: +31(0)165330746

Bulgaria

Honeywell EOOD
Phone: +(359) 2 79 40 27
FAX: +(359) 2 79 40 90

Czech Republic

Honeywell spol. s.r.o.
Phone: +420-54324-5014
FAX: +420-54324-5011

Denmark

Honeywell A/S
Phone: +(45) 39 55 55 58
FAX: +(45) 39 55 55 58

Finland

Honeywell OY
Phone: +358 (3) 2727625
FAX: +358 (3) 2728600

France

Honeywell SA
Phone: +33 (0)1 60198075
FAX: +33 (0)1 60198201

Germany

Honeywell AG
Phone: +49 (69)8064336
FAX: +49 (69)806497336

Hungary

Honeywell Kft.
Phone: +36-1-451 4335
FAX: +36-1-451 4343

Italy

Honeywell S.p.A.
Phone: +39 02 9214 6503
FAX: +39 0292146377

The Netherlands

Honeywell B.V.
Phone: +31(0)205656999
FAX: +31(0)165330746

Norway

InstrumentTeam A/S
Phone: (47) 67 150 250

Poland

Honeywell Sp. zo.o
Phone: +48-22-6060900
FAX: +48-22-6060901

Portugal

Honeywell Portugal Lda
Phone: +351 21 424 5000
FAX: +351 21 424 50 99

Romania

Honeywell Bucharest
Phone: 40212110076
FAX: +40 (40212103375)

Commonwealth of Independent States (CIS)

Z.A.O. Honeywell
Phone: +(7 095) 796 98 36
FAX: +(7 095) 796 98 93

Slovak Republic

Honeywell s.r.o.
Phone: +421-2-58247 410
FAX: +421-2-58247 415

Spain

Honeywell S.A.
Phone: +34 (0)91313 61 00
FAX: +34 (0)91313 61 30

Sweden

Honeywell AB
Phone: +(46) 8 775 55 00
FAX: +(46) 8 775 56 00

Switzerland

Honeywell AG
Phone: +41 18552448
FAX: +(41) 1 855 24 45

Turkey

Honeywell Turkey A.S.
Phone: +90 216 575 6600
FAX: +90 216 575 6637

United Kingdom

Honeywell Control Systems Ltd
Phone: +(44) 1698 481730
FAX: +(44) 1698 481276

MIDDLE EAST

Abu Dhabi U A E

Middle East Headquarters
Honeywell Middle East Ltd
Phone: +971 2 4041220
FAX: +971 2 4432536

Sultanate of Oman

Honeywell & Co Oman LLC
Phone: +968 701397
FAX: +968 787351

Egypt

Honeywell Egypt Ltd
Phone: +202 4514460 /1/ 2/ 3/ 4/ 5/ 6
FAX: +2024514467

Saudia Arabia

Honeywell Turki Arabia Limited
Phone: +966-3-341-0140
Fax: +966-3-341-0216

Kuwait

Honeywell Kuwait KSC
Phone: +965 2421327

AFRICA

Mediterranean & African Distributors

Honeywell SpA
Phone: +39 (02) 250 10 604
FAX: +39 (02) 250 10 659

South Africa (Republic of)

Honeywell Southern Africa
Honeywell S.A. Pty. Ltd
Phone: +27 11 6958000
FAX +27 118051504

NORTH AMERICA

Canada

Honeywell LTD
Phone: 1-800-737-3360
FAX: 1-800-565-4130

USA

Honeywell
Control Products,
International Headquarters
Phone: 1-800-537-6945
1-815-235-6847
FAX: 1-815-235-6545
E-mail: info.sc@honeywell.com

LATIN AMERICA

Argentina

Honeywell S.A.I.C.
Phone: +(54-11) 4383-3637
FAX: +(54-11) 4325-6470

Brazil

Honeywell do Brasil & Cia
Phone: +(55-11) 7266-1900
FAX: +(55-11) 7266-1905

Chile

Honeywell Chile, S.A.
Phone: +(56-2) 233-0688
FAX: +(56-2) 231-6679

Columbia

Honeywell Columbia, S.A.
Phone: +(57-1) 623-3239/3051
FAX: +(57-1) 623-3395

Ecuador

Honeywell S.A.
Phone: +(593-2) 981-560/1
FAX: +(593-2) 981-562

Mexico

Honeywell S.A. de C.V.
Phone: +(52) 55 5259-1966
FAX: +(52) 55 5570-2985

Peru

Honeywell Peru
Phone: +(511) 445-2136/1891
FAX: +(511) 348-3552

Puerto Rico

Honeywell Inc.
Phone: +(809) 792-7075
FAX: +(809) 792-0053

Trinidad

Honeywell Inc
Phone: +(868) 624-3964
FAX: +(868) 624-3969

Venezuela

Honeywell CA
Phone: +(58-2) 238-0211
FAX: +(58-2) 238-3391



Tlf: 67150 250 Faks: 67 150 251

Mail: post@instrumentteam.no

Web: www.instrumentteam.no