

Alarm contacts for Pressure gauges with magnetic snap-action contacts or sliding contacts

Application

Magnetic snap-action contacts you can take for all applications.
For high switching power we advise our high current rating relay
For applications in filled pressure gauges or for explosion protected zones you must take our inductive alarm contacts .

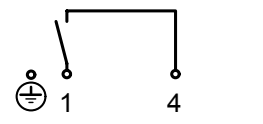
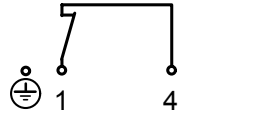
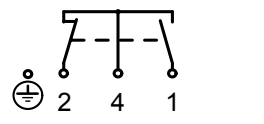
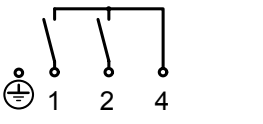
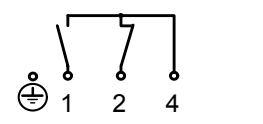
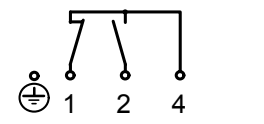
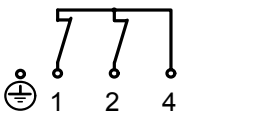
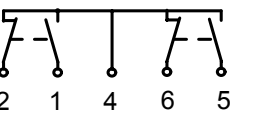
By rated normal voltage > 50 VAC bzw. > 120 VDC must be the contact according to DIN VDE 0110 reliable grounded.

Technical data

Nominal voltage	max. 250 V
Minimal voltage	24 V at ohmic demand and in air
On-and off current:	max. 1,0 A
Constant current:	max. 0,6 A
Minimum current :	20 mA
Switching power :	max. 30 W; 50 VA
Min. switching power :	0,4 W; 0,4 VA
Contact materials	Ag80 Ni20 (other on request)
Switching accuracy	ca.2-5 % off full scale value
Operating temperature	-20...+70 °C



Switching function			
Contact model	Clockwise pointer motion	Contact model	Clockwise pointer motion
M-1	Contact closes	M-12	1.contact closes 2.contact opens
M-2	Contact opens	M-21	1.contact opens 2.contact closes
M-3	Single contact changing contact	M-22	1.contact opens 2.contact opens
M-11	1.contact closes 2.contact closes	M-33	double contact changing contact

Connection plan			
<p>M-1</p> 	<p>M-2</p> 	<p>M-3</p> 	<p>M-11</p> 
<p>M-12</p> 	<p>M-21</p> 	<p>M22</p> 	<p>M-33</p> 

Inductive alarm contacts to DIN 19 234

Application

Inductive alarm contacts operate without physical contact and with very little effect on the mechanical pressure measuring system.

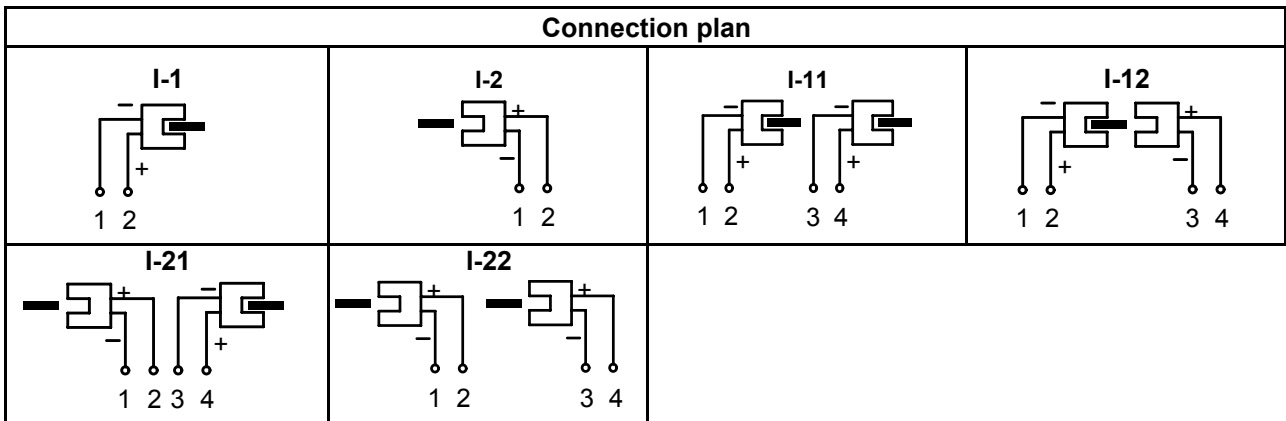
Pressure gauges with inductive alarm contacts and an external control unit can be used in areas with potentially explosive atmospheres (zone1 and 2)
 Type of protection EEx ib II C T6



Technical data

Nominal voltage	8 V = (Ri = 1 k OHM)
Operating voltage	5...25 V
No-load current	ca. 1...3 mA
Switching accuracy	ca.0,5 % from full scale value
Operating temperature	-20...+70 °C

Switching function			
Contact model	Clockwise pointer motion	Contact model	Clockwise pointer motion
I-1	contact closes	I-12	1.contact closes 2.contact opens
I-2	contact opens	I-21	1.contact opens 2.contact closes
I-11	1.contact closes 2.contact closes	I-22	1.contact opens 2.contact opens



Tlf: 67150 250 Faks: 67 150 251

Mail: post@instrumentteam.no

Web: www.instrumentteam.no

SUCHY MESSTECHNIK

Garnsdorfer Hauptstraße 116, 09244 Lichtenau

Telefon:037208/66580 Fax:037208/66582

e-Mail:suchy@suchy-messtechnik.de