

All stainless steel contact pressure gauges for special safety to DIN EN 837-1 with or without glycerine filling

Nominal size ND 100 and 160 mm
accuracy class 1,0

according to DIN EN 837-1(old DIN 160006)



Features

- Solid front between measuring system and dial
- Fulfills highest safety requirements to DIN 16006
- Vibration free display and long service life through glycerine filling
- Ideal for hard conditions
- High reliability on a longterm basis

Application

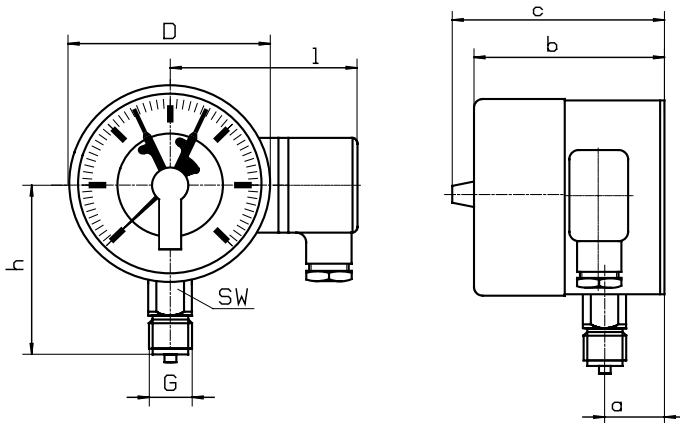
- Chemical and petrochemical industry
- Foodstoffs and beverages industry
- Paper industry
- Processing technology,
- Machine and apparatus construction,

	with silicon oil filling			
Model and ND	KMR-36 100	KMR-36 160	KMR-36 100 F	KMR-36 160 F
Connection	bottom			
Ranges in bar	0...0,6, 1, 1,6, 2,5, 4, 6, 10, 16, 25, 40, 60, 100, 160, 250, 400, 600, 1.000, 1.600 -0,6 / 0, -1 / 0, -1 / +0,6, -1 / +1,5, -1 / +3, -1 / +5, -1 / +9, -1 / +15, -1 / +24			
Applications	Constant load : up to end of scale value Alternating load : up to 0,9 x end of scale value Short time : overload capacity 1,3 x			
Case	CrNi steel with blow - out back , solid front			
Bezel	CrNi steel bayonet ring			
Window	Polycarbonat			
Dial	Aluminium white, scale and imprint black			
Pointer	Aluminium , black			
Movement	CrNi steel			
Measuring element	CrNi steel Bourdon tube < 40 bar, helial tube > 60 bar			
Pressure Connection	SW 22, CrNi steel			
Connectionthread	G 1/2 B			
Protection	IP 54 to EN 60529 / IEC 529		IP 65 to EN 60529 / IEC 529	
Temperatures	Medium: -20°C bis 80°C, Ambient: -25°C bis 60°C			
Weight	0,9 kg	1,2 kg	2,2 kg	3,8 kg

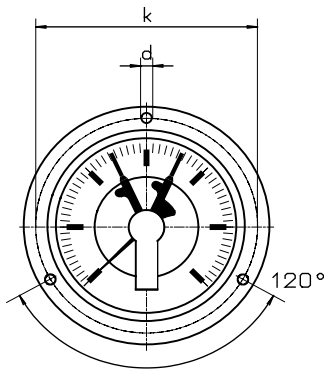
Technische Informationen zu Magnetspring- und Induktivkontakten siehe Datenblätter M 950 und M 960

Dimensions

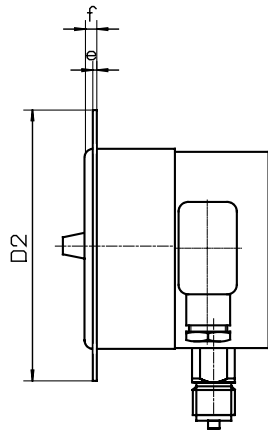
Connection bottom



Front flange



Front flange



Dimensions in mm														
Model	NG	D	a	b		h		D2	e	f	k	d	sw	G
KMR-36	100	101	?	?		86		132	2	6	116	5	22	G 1/2 B
KMR-36	160	160	?	?		118		196	3	8	178	5,6	22	G 1/2 B

Model	NG	c	l
KMR-30	160	107	118
KMR-35	160	107	118

Modelspecification

Model	Connection	Filling	Nominal size	Range	Options
KMR-3	6	F or -	100 or 160	f.e. 10 bar	f.e.M 12
	Safety case connection bottom		Case ND 100 = 100 Case ND 160 = 160	after Rangespecification or direkt 10 bar	Contact after Specification Contact closes/ opens
	wit filling = F without filling -				