

# Heavy Duty pressure gauges with Bourdon tube

Nominal size ND 100 ,ND 160  
Accuracy class 1.0

according to DIN EN 837-1

## Features

- Accuracy class 1.0
- High reliability on a longterm basis
- Stainless steel case
- Overload capacity 1.3 x
- Copper alloy measuring system



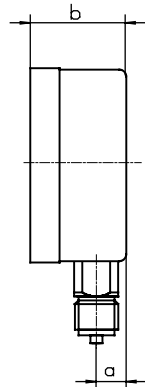
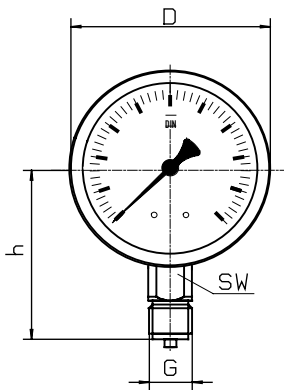
## Applications

- Mechanical engineering and apparatus construction,
- power supply,
- laboratory and test engineering

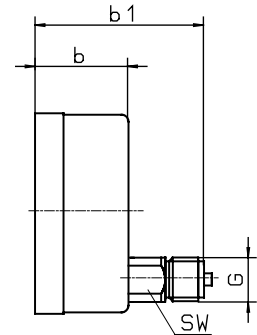
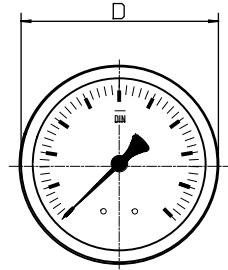
Models and ND	MR-20 100	MR-25 100	MR-20 160	MR-25 160
Connections	bottom	back,eccentric	bottom	back,eccentric
Ranges in bar	0...0,6, 1, 1,6, 2,5, 4, 6, 10, 16, 25, 40, 60, 100, 160, 250, 400, 600, 1.000, 1.600 -0,6 / 0, -1 / 0, -1 / +0,6, -1 / +1,5, -1 / +3, -1 / +5, -1 / +9, -1 / +15, -1 / +24			
Application	Constant load : up to full scale value , >1000 bar 3/4 Alternating load : up to 0,9 x full scale value , > 1000 bar 2/3 Overrange protection 1,3 times max. , > 1000 bar full scale value			
Case	CrNi steel, pressure relief opening ( closed with rubber disk)			
Bezel	CrNi steel bayonet			
Window	Lamineted safety glass			
Dial	Aluminium , white ,scale and imprint black			
Pointer	Aluminium, black			
Movement	CuZn-alloy			
Measuring element	CuZn-alloy up to 40 bar,above 40 bar helical spring stainless steel			
Connection	Copper Alloy up to 1000 bar, > 1000 bar CrNi steel			
Connectionthread	G 1/2 B			
Protection	IP 54 to EN 60529 / IEC 529			
Temperature drift	Medium: -20°C bis 80°C, Ambient : -25°C bis 60°C			
Weight	0,6 kg		1,0 kg	

## Dimensions

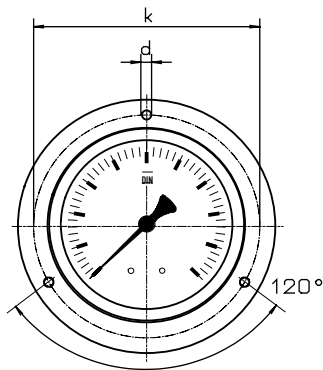
Connection bottom



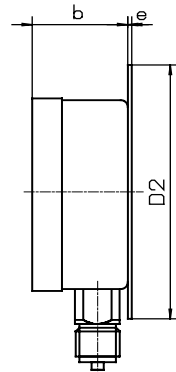
Connection back, eccentric



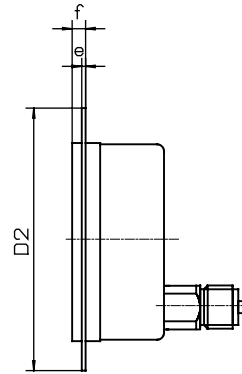
front flange



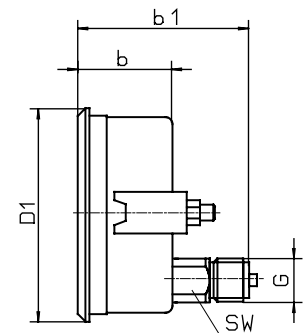
rear flange



front flange

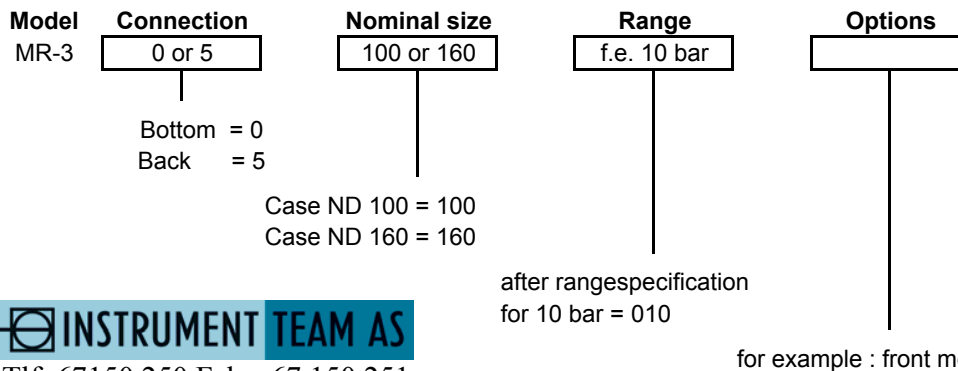


with triangle bezel a. U-clamp



Dimensions in mm														
Model	NG	D	a	b	b1	h	D1	D2	e	f	k	d	sw	G
MR-20	100	101	15	49	-	86	107	132	2	6	116	5	22	G 1/2 B
MR-25	100	101	-	49	85	-	107	132	2	6	116	5	22	G 1/2 B
MR-20	160	160	15	51	-	118	-	196	3	8	178	5,6	22	G 1/2 B
MR-25	160	160	-	51	86	-	166	196	3	8	178	5,6	22	G 1/2 B

### Modelspecification



Tlf: 67150 250 Faks: 67 150 251

Mail: [post@instrumentteam.no](mailto:post@instrumentteam.no)

Web: [www.instrumentteam.no](http://www.instrumentteam.no)