

# Precision test gauges with Bourdon tube in industry and stainless steel version

Nominal size ND 160 mm  
Accuracy class 0,6

according to DIN EN 837-1

## Features

- accuracy class 0,6
- window with glass lens
- knife edge pointer
- high reliability and long service life

## Applications

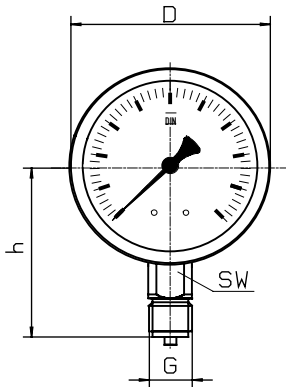
- Precision monitoring in processing plants
- Test equipment
- laboratory



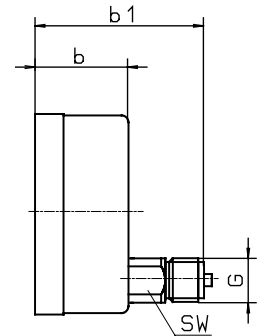
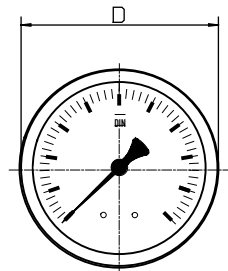
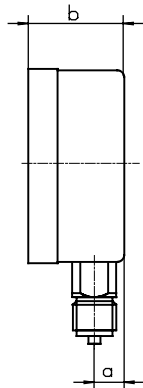
	Industry version		Stainless steel	
Model and ND	MRF-20 160	MRF-25 160	MRF-30 160	MRF-35 160
Connection	bottom	back eccentric	bottom	back eccentric
Ranges in bar	0...0,6, 1, 1,6, 2,5, 4, 6, 10, 16, 25, 40, 60, 100, 160, 250, 400, 600, 1.000, 1.600 -0,6 / 0, -1 / 0, -1 / +0,6, -1 / +1,5, -1 / +3, -1 / +5, -1 / +9, -1 / +15			
Application	Constant load : up to full scale value Alternating load: up to 0,9 x full scale value Short-time: overload capacity 1,3 x full scale value			
Case	Steel black with blow out		CrNi steel with blow out	
Bezel	Steel black		CrNi steel	
Window	Glas lens		Lamineted safety glass	
Dial	Aluminium white, scale and imprint black to DIN 16109			
Pointer	Knife edge pointer aluminium black			
Movement	CuZn-alloy		CrNi steel	
Measuring element	CuZn-alloy to 40 bar with bourdon tube from 60 bar st. steel helical tube		CrNi steel ,to 40 bar with bourdon tube ,from 60 bar helical tube	
Temperature drift	0,3 % pro 10 K deviation from normal temperature 20 °C			
Calibration medium	up to 10 bar gas, from 16 bar oil			
Pressure connection	SW 22, CuZn-alloy up to 1.000 bar		SW 22, CrNi steel	
Connection thread	G 1/2 B			
Protection	IP 54 to EN 60529 / IEC 529			
Temperatures	Medium: -20°C bis 80°C, ambient: -20°C bis 60°C			
Weight	1,0 kg			

## Dimensions

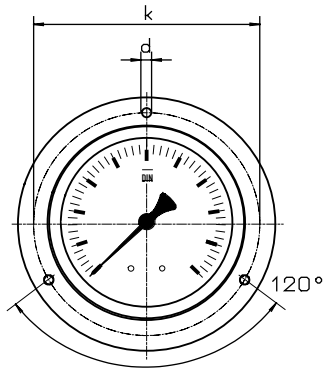
Connection bottom



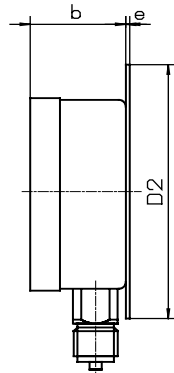
Connection back , eccentric



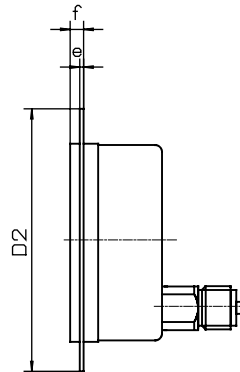
Front / rear mounting flange



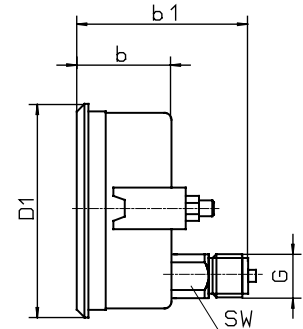
rear mounting flange



front flange



with triangle bezel a. U-clamp



Dimensions in mm														
Model	NG	D	a	b	b1	h	D1	D2	e	f	k	d	sw	G
MRF-20	160	160	15	51	-	118	-	196	3	8	178	5,6	22	G 1/2 B
MRF-25	160	160	-	51	86	-	166	196	3	8	178	5,6	22	G 1/2 B

### Modelspecification

