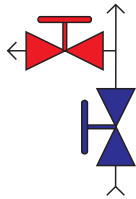
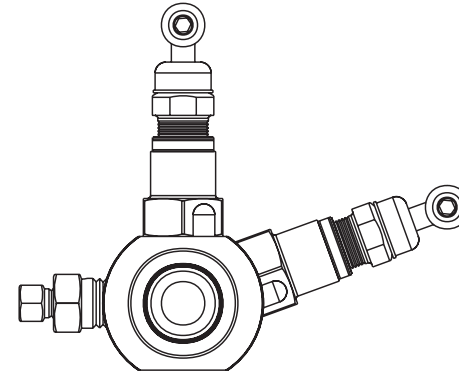
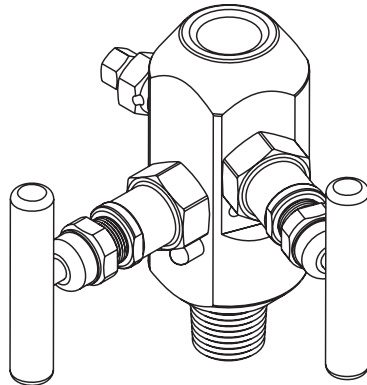
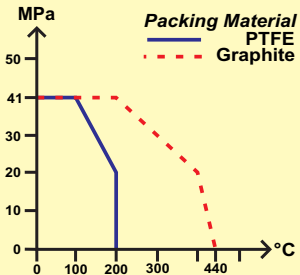


Valve Logic Diagram



**Pressure vs Temperature
316 Valves - Safety Factor 4:1**



Notes

SUSTECH Precision valves are available in a variety of materials. The **SUSTECH Precision Valvehead** offers :-

- Valveheads Positively Anchored
- Fully Articulated Back-sealing Shaft
- Dual, Pressure Activated, Stuffing Boxes
- Anti-blowout Shaft with Full Process Isolation
- Bubble Tight Seal Guaranteed on Liquids & Gases

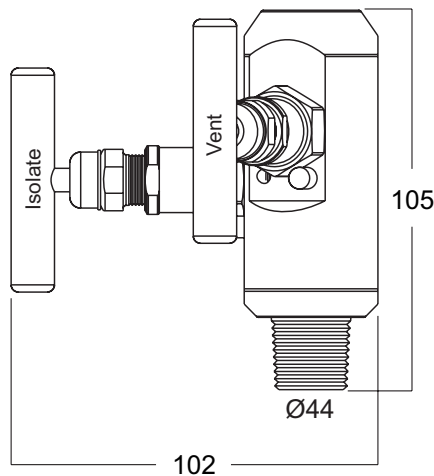
Marking

- Manufacturer
- Flow Schematic
- Operating Limits
- Colour Coded Dust Caps
- All Element Traceability & Materials of Construction

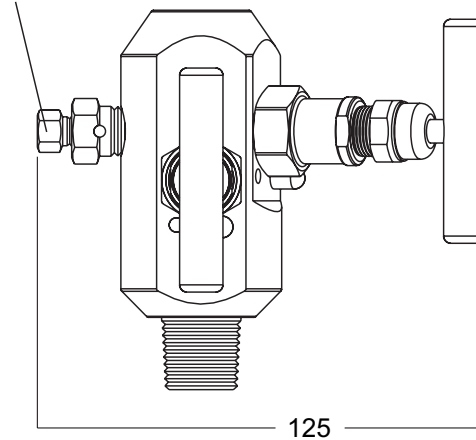
Design Criteria

SUSTECH Precision is manufactured under the supervision of DIN EN ISO 9001:2000 with design criteria from ASME B31.1 and ASME B31.3. Designs are in accordance with CSA B51-03 and ATEX PED 97/23EC (CE0035). All valves have an Over Pressure Safety margin of 4 times. All designs have been tested in accordance with ASME VIII.

Pressure rating, see graph. **SUSTECH Precision** Pushers are grey in colour because they are coated with a lubricant.



The Bleed Plug is an optional extra



Rev : 8

Title : M X F 2 Way Gauge Valve

Weight : 1.30 kgs

Part No : P2/M4W4TV2XH

○ Fully Certified Instrument Valves ○
SUSTECH Precision
 DIN EN ISO 9001:2000 CSA Pending
 ○ ATEX PED 97/23/EC ○

Specifications are subject to modification without prior notification.