

Pressure gauge with Bourdon tube and integrated pressure sensor

Accuracy class 1,0 %

Standard Output 4...20 mA; 2-wire system
 or 0...20 mA; 3-wire system
 or 0...5 VDC; 3-wire system
 or 0...10 VDC; 3-wire system

Features

- Local Display
- Safety version to EN 837-1/S 3
- Corrosion resistant stainless steel
- Liquid filling of case to provide damping of measuring system



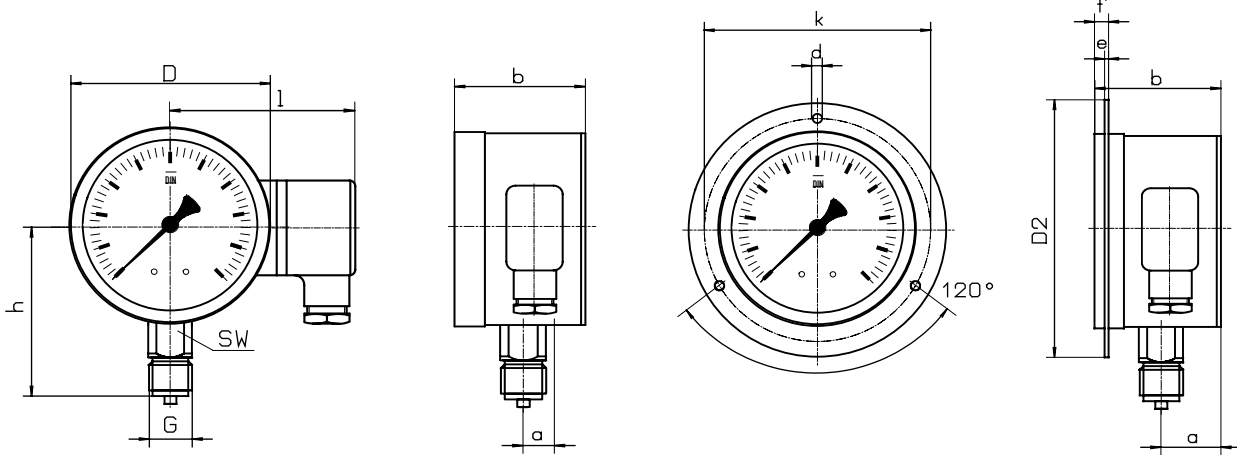
Applications

- Chemical and petrochemical industries
- Food and beverage industries
- General mechanical engineering

Model and ND	SMR-36 100	SMR-36 160
Range in bar	0...0,6, 1, 1,6, 2,5, 4, 6, 10, 16, 25, 40, 60, 100, 160, 250, 400, 600, 1.000 -0,6 / 0, -1 / 0, -1 / +0,6, -1 / +1,5, -1 / +3, -1 / +5, -1 / +9, -1 / +15, -1 / +24	
Applications	Constant load : up to full scale value Alternating load : up to 0,9 x full scale value Short time : overload capacity 1,3 x full scale value short time	
Case	CrNi steel with Blow out back , solid front	
Bezel	CrNi-steel	
Window	Laminated safety glass	
Sensor element	CrNi-steel with Thin film	
Repeability	< 0,05 % from full scale value.	
Stability per year	< 0,2 % full scale value in rated conditions	
Electrical connection	plug according to DIN 43650 with junction box	
Power supply	12...30 VDC (14...30 VDC for output 0...10 V)	
Power consumption	Output 4...20 mA: signal currency	voltage output 8 mA
Temp.com.range	-28...82 °C	
Temp.influence	0,3 % / 10 K, zero point and measuring element	
Response time	< 1 ms (within 10% to 90% of full scale value)	
Temperatures	Medium: -20°C bis 80°C, Ambient: -25°C bis 60°C	

Dimensions and Design

Connection bottom



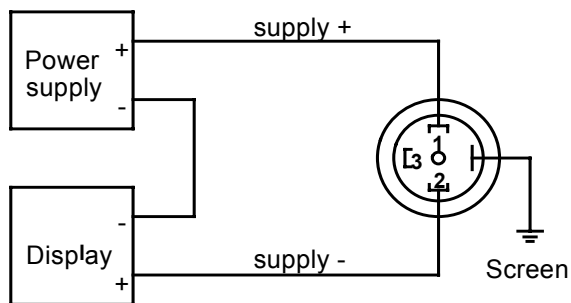
front flange

front flange

Dimensions in mm														
Model	NG	D	a	b	l	h		D2	e	f	k	d	sw	G
SMR-36	100	101	27	60	88	86		132	2	6	116	5	22	G 1/2 B
SMR-36	160	160	34	69	118	118		195	3	8	178	5,6	22	G 1/2 B

Electrical connection

Two - wire system



Three - wire system

