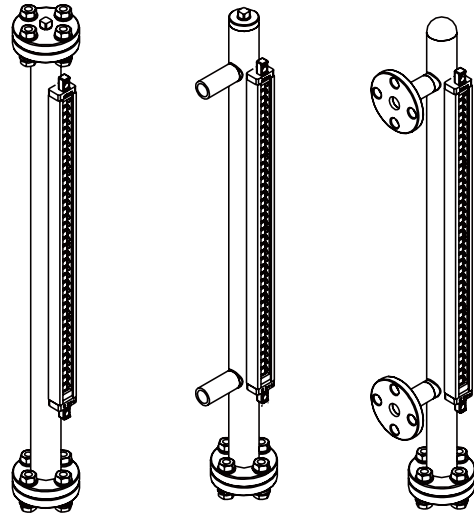


MINI BY-PASS level indicator

FEATURES

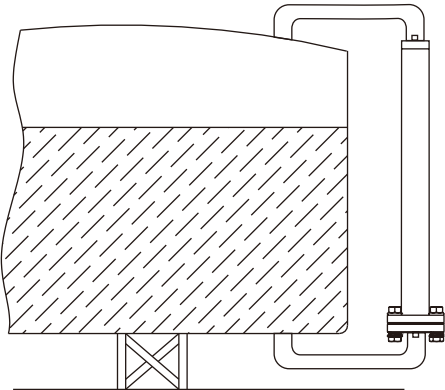
- ★ Visible level changes are shown by the flag display
- ★ Uses engineering plastics(not glass) for safety
- ★ Compact and easy to install.
- ★ Optional magnetic switches for high/ low level alarm output.
- ★ Optional level transducer for 4-20mA signal output.

Applicable in both hazardous or sanitary environments. Suitable for oil tanks, water tanks, steam boilers, food machines, medical equipment and other.

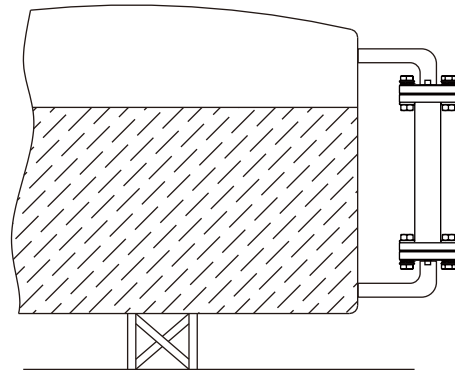


INSTALLATION EXAMPLE

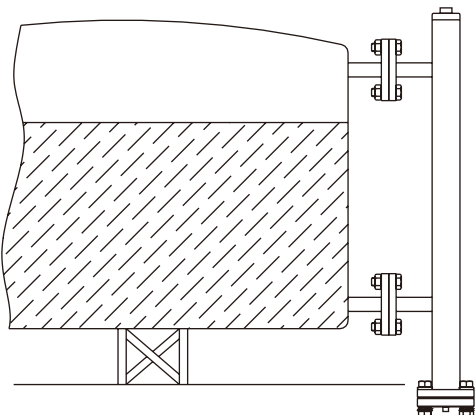
MEF□□□ B5H



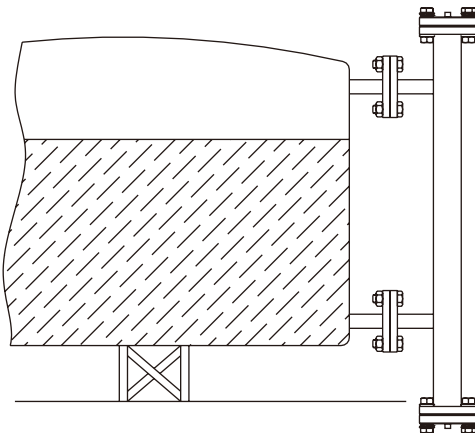
MEF□□□ C5H

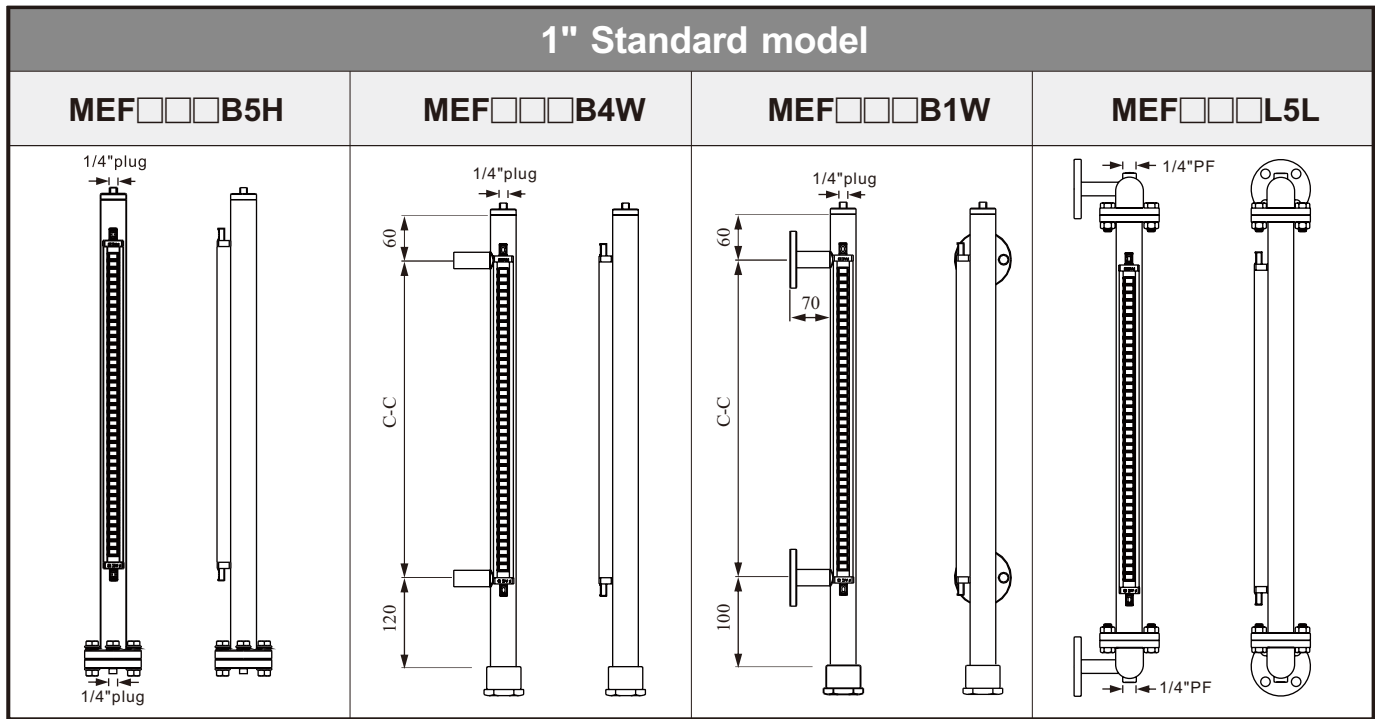


MEF□□□ B1H



MEF□□□ C1H

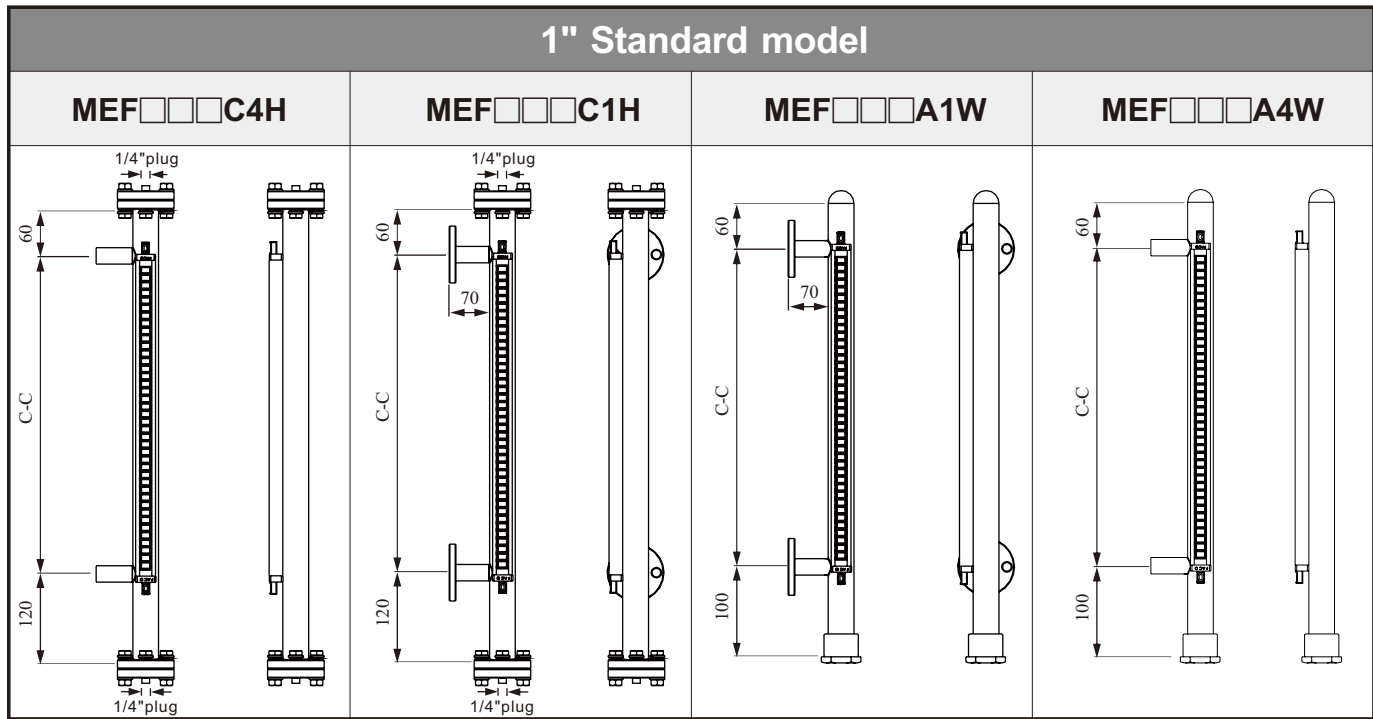




SPECIFICATIONS:

| Order No. | MEF□□□B5H | MEF□□□B4W | MEF□□□B1W | MEF□□□L5L |
|---------------------------|-----------------------------|-----------------------|------------------------------------|------------------------------------|
| Description | | | | |
| Top end | Flat Top+1/4"PT Plug | Flat Top+1/4"PT Plug | Flat Top+1/4"PT Plug | Dual Flange+ angle pipe |
| Bottom end | Dual Flange+ 1/4"PT Plug | Removable nut plug | Removable nut plug | Dual flange +angle pipe |
| Connecting | ————— | Slip Pipe | 3/8" x5kg/cm ² (Flange) | 3/8" x5kg/cm ² (Flange) |
| C-C distance | Min. 150mm; Max. 3000mm | | | |
| Operation pressure | 10kg/cm ² | | | |
| Operation temp. | 140°C (max.200°C) | | | |
| Chamber | φ34 x 2t, SUS304 / SUS316L | | | |
| Float type | EFB-2420, S.G.0.8 | | | |
| Material | SUS304 / SUS316L | | | |
| Flag indicator | EFB-0750 | | | |
| Ruler | PM Sticker (max.100°C) | | | |

C-C Connecting tube: 1/2"



SPECIFICATIONS:

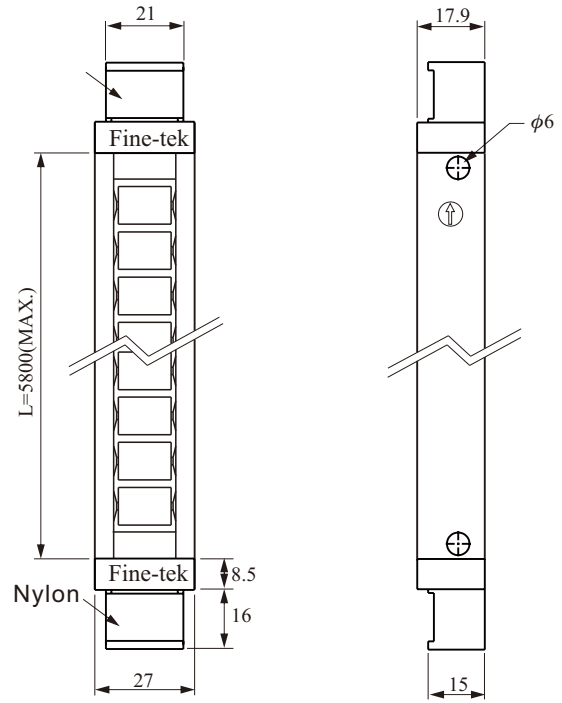
| Order No. | MEF□□□C4H | MEF□□□C1H | MEF□□□A1W | MEF□□□A4W |
|---------------------------|-----------------------------|------------------------------------|------------------------------------|-----------------------|
| Description | | | | |
| Top end | Dual Flange+ 1/4"PT Plug | Dual Flange+ 1/4"PT Plug | Cap | Cap |
| Bottom end | Dual Flange+ 1/4"PT Plug | Dual Flange+ 1/4"PT Plug | Removable nut plug | Removable nut plug |
| Connecting | Slip Pipe | 3/8" x5kg/cm ² (Flange) | 3/8" x5kg/cm ² (Flange) | Slip Pipe |
| C-C distance | Min. 150mm; Max. 3000mm | | | |
| Operation pressure | 10kg/cm ² | | | |
| Operation temp. | 140°C (max.200°C) | | | |
| Chamber | φ34 x 2t, SUS304 / SUS316L | | | |
| Float type | EFB-2420, S.G.0.8 | | | |
| Material | SUS304 / SUS316L | | | |
| Flag indicator | EFB-0750 | | | |
| Ruler | PM Sticker (max.100°C) | | | |

C-C Connecting tube: 1/2"

FLAG DISPLAY

MODEL: EFB-0750

| | |
|------------------|----------------------------|
| Housing material | SUS 304 |
| Flag material | Engineering plastic |
| Flag color | Red / White; Green / White |
| Cover material | Engineering plastics |
| Operation temp. | -20~140°C |
| Standard unit | 50mm |



ACCESSORY

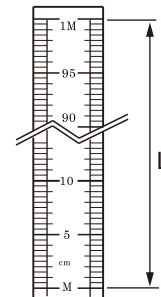
RULER

MODEL: EFA-2150 (unit: cm)

MODEL: EFA-2160 (unit: inch)

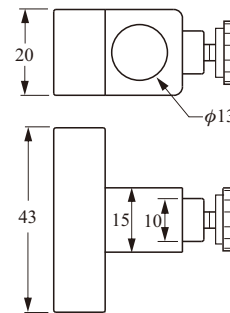
| | |
|-----------------|------------|
| Material | PM Sticker |
| Operation temp. | -20~100°C |

EFA-2150

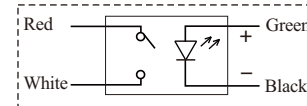


MODEL: EFB-14□□ [ADJUSTABLE TYPE]

| | |
|-------------------------|--|
| Contact element | Reed Switch |
| Switch form | EFB-1400, EFB-1440 SPST NO Hold type |
| | EFB-1410, SPST NO Normal type |
| | EFB-1420, SPDT Hold type |
| | EFB-1430, SPDT Normal type |
| | EFB-1450, SPST NO Hold type (LED display) |
| Contact capacity | 1A /30W / 200Vdc /240Vac |
| LED power | 24 Vdc ±20%(for EFB-1450) |
| Housing material | PP |
| Operation temp. | -20~140°C |
| Protection | IP67 |
| Cable length | 2M (PVC Cable) |
| Contact wire color code | Red: COM, White: NO (EFB-1400/ 1410 / 1450) |
| | Black: COM, Red: NC, White: NO (EFB-1420 / 1430) |



EFB-1450 Wiring

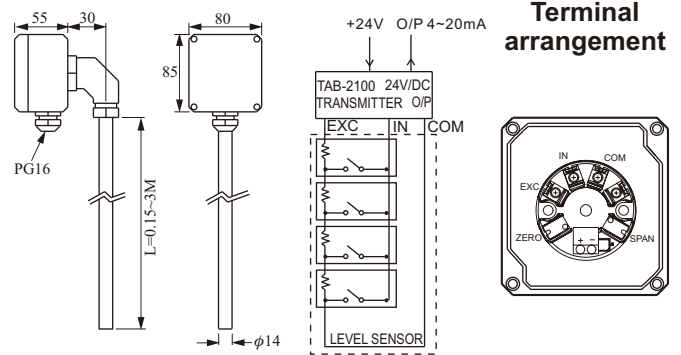


FLOAT/ CONTINUOUS LEVEL TRANSMITTER

CONTINUOUS LEVEL TRANSMITTER

MODEL: EFB-3920

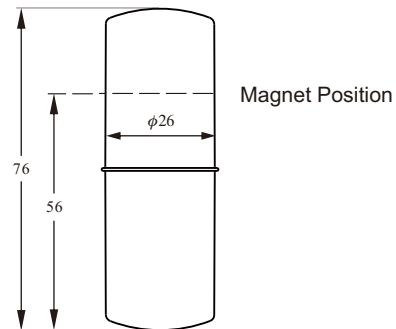
| | |
|------------------|---------------------------------|
| Housing material | PC(IP65) 85(W)x80(H)x55(D) |
| Tube material | ϕ 14mm, SUS 304 or SUS 316 |
| Resolution | \pm 6.35mm |
| Output | 4~20mA two-wire |
| Power | 12~32Vdc |
| Measuring range | 0.15~3M |
| Ambient temp. | -10~80°C |
| Accuracy | \pm 0.1% |



METAL FLOAT


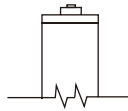
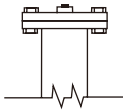
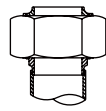
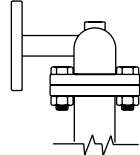
MODEL: EFB-2420

| | |
|--------------------|----------------------|
| Operating temp. | 150°C |
| Operating pressure | 10kg/cm ² |
| Specific gravity | 0.8(S.G.) |
| Floation line | 96 mm |
| Material | SUS316 |
| Dimension | ϕ 26x76 |

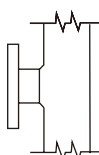
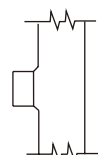
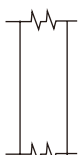


ORDER INFORMATION

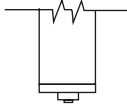
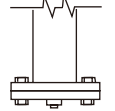
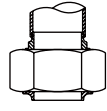
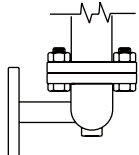
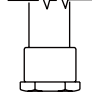
TOP END MODEL

| A | B | C | V | L |
|---|---|---|---|---|
| Cap | Flat top+plug | Dual flange +plug | Welding union | Dual flange +angle pipe |
|  |  |  |  |  |

CONNECTION

| 1 | 4 | 5 |
|--|--|--|
| Flange | Slip pipe | N/A |
|  |  |  |

BOTTOM END MODEL

| B | H | V | L | W |
|---|---|---|--|---|
| Flat top+plug | Dual flange +plug | Welding union | Dual flange +angle pipe | Removable nut plug |
|  |  |  |  |  |

HOW TO MAKE YOUR ORDER

MEF **Y** **1** **1** **B** **5** **H** **1** **(J 3)** - **0 5** ()

Float model _____

Y : EFB-2420 (SUS316)---1" (OD34)

Material _____

1: SUS304 -- 140°C 8: SUS304 -- 200°C
 3: SUS316L -- 140°C 9: SUS316L -- 200°C

Flag display _____

1: EFB - 0750(150°C) -: None

End / Connection model _____

| Top end model | Connection | Bottom end model |
|--|-------------------------------------|--|
| A: Cap B: Flat top+plug C: Dual flange+plug V: Welding union L: Dual flange +angle pipe | 1: Flange 4: Slip pipe 5: N/A | B: Flat top+plug H: Dual flange+plug V: Welding union L: Dual flange +angle pipe W: Removable nut plug |

* Welding Union Type 1-1/4"

Operating pressure range _____

1: -1~ 10 kg/cm²

Magnetic switch quantity 1~ 4 _____

G: EFB -1400 J: EFB -1430
 H: EFB -1410 K: EFB -1450
 I: EFB -1420 L: EFB -1440

*Omit these two codes if no magnetic switch required.

Length (Unit: m) _____

05: below 0.5m 10: 0.5~1m 15: 1~1.5m . . . *0.5m per Unit (Max.length: 3m)

Transducer _____

G: EFB -3920 Continuous Level Transmitter *Omit this code if no transducer required.

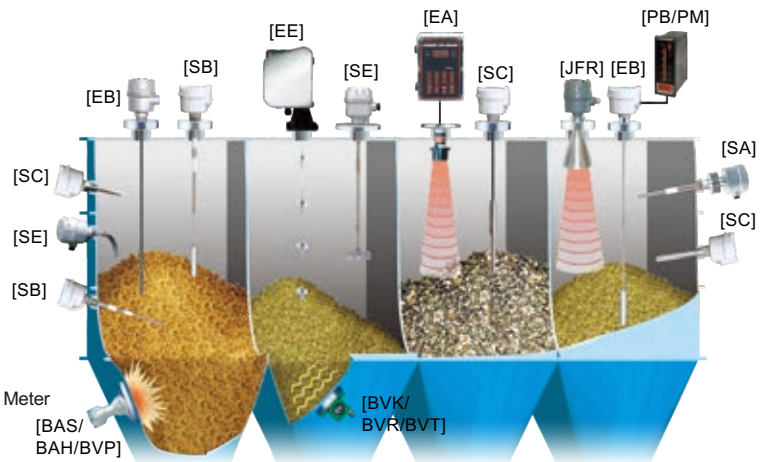
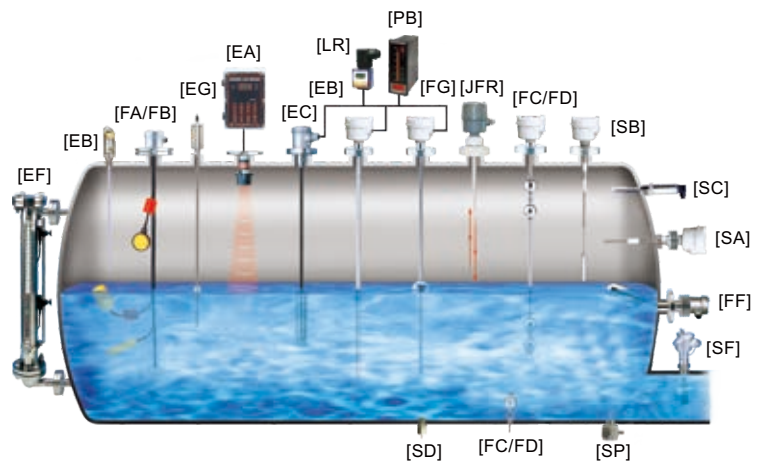
Ruler _____

M: Sticker *Omit this code if no ruler required. *Aralable for customized unit

* Level Transmitter and magnetic switch can't be installed together on the Mini by-pass level indicator
 * Special term for LR Marine approval: "Environmental test has been carried out but it is not applicable to use in the ship and offshore that type of screw fittings is used for pipe exceeding 51mm outer diameter".

EXAMPLES-OF-TANK-MOUNTING

- [FC/FD] Mini Float/Magnetic Float Level Switch
- [FG] Magnetic Float Level Transmitter
- [FF] Side Mounting Float Switch
- [FA/FB] Cable Float Level Switch
- [SP] Thermal Dispersion Flow Switch
- [SF] Paddle Flow Switch
- [SD] Optical Level Switch
- [SE] Rotary Paddle Level Switch
- [SA] Capacitance Level Switch
- [EC] Pressure Level Transmitter
- [LR] Loop Power Indicator
- [SC] Vibrating Probe Level Switch
- [SC] Tuning Fork Level Switch
- [EB] RF-Capacitance Level Transmitter
- [SB] RF-Capacitance / Admittance Level Switch
- [EG] Magnetostrictive Level Transmitter
- [EF] By-Pass Level Transmitter
- [MEF] Mini By-Pass Level Transmitter
- [EA] Ultrasonic Level Transmitter
- [JFR] FMCW Radar Level Transmitter
- [EE] Electromechanical Level Measuring System
- [ED] Speed Monitor
- [SRT/SRS] Conveyor Belt Misalignment Switch & Safety Cable Pull Switch
- [PB/PM] Microprocessor Based Bargraphic Display Scaling Meter
- [BRD/AE] Valve and Controller for Dust Collector System
- [BAS/BAH/BVP] Air Hammer
- [BVK/BVR/BVT] Pneumatic Vibrator



FineTek Co., Ltd.

No.16, Tzuchiang St., Tucheng Industrial Park, New Taipei City 236, Taiwan.
 TEL: 886 2 2269 6789 FAX: 886 2 2268 6682
 Email: info@fine-tek.com http://www.fine-tek.com

Taichung Branch TEL: 886 4 2337 0825 FAX: 886 4 2337 0836
Tainan Branch TEL: 886 6 289 0635 FAX: 886 6 289 4073
Kaohsiung Branch TEL: 886 7 333 6968 FAX: 886 7 536 8758

Fine automation (ShangHai) Co., Ltd.

No.451 DuHui Rd, MinHang District, Shanghai, China 201109
 TEL: 86 21 6490 7260 FAX: 86 21 6490 7276
 Email: info.sh@fine-tek.com

FineTek Pte Ltd.

No. 60 Kaki Bukit Place, #07-06 Eunos Techpark 2
 Lobby B, Singapore 415979
 TEL: 65 6452 6340 FAX: 65 6734 1878
 Email: info.sg@fine-tek.com

FineTeK GmbH

Frankfurter Str. 62, OG D-65428 Ruesselsehim, Germany
 TEL: 49 6142 17608 0 FAX: 49 6142 17608 20
 E-Mail: info@fine-tek.de

Aplus Finetek Sensor inc.

355 S. Lemon Ave, Suite D, Walnut, CA 91789
 Tel : 1 909 598 2488 Fax : 1 909 598 3188
 Email: peter.wu@aplusfine.com



Distributor: