

SM3 MODULE OF LOGIC OR COUNTER INPUTS

FEATURES:

MOD BUS Program LPConfig



- Adjoined information about consumption of medium (water, gas heat, electrical energy) to monitoring systems and PLC
- Conversion of logic states or impulses into RS-485 Modbus
- Two programmable logic or counter inputs
- Auxiliary counters with reset possibility
- Counter state stored in the non-volatile memory.

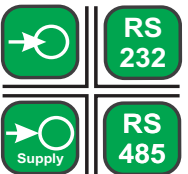
INPUTS:



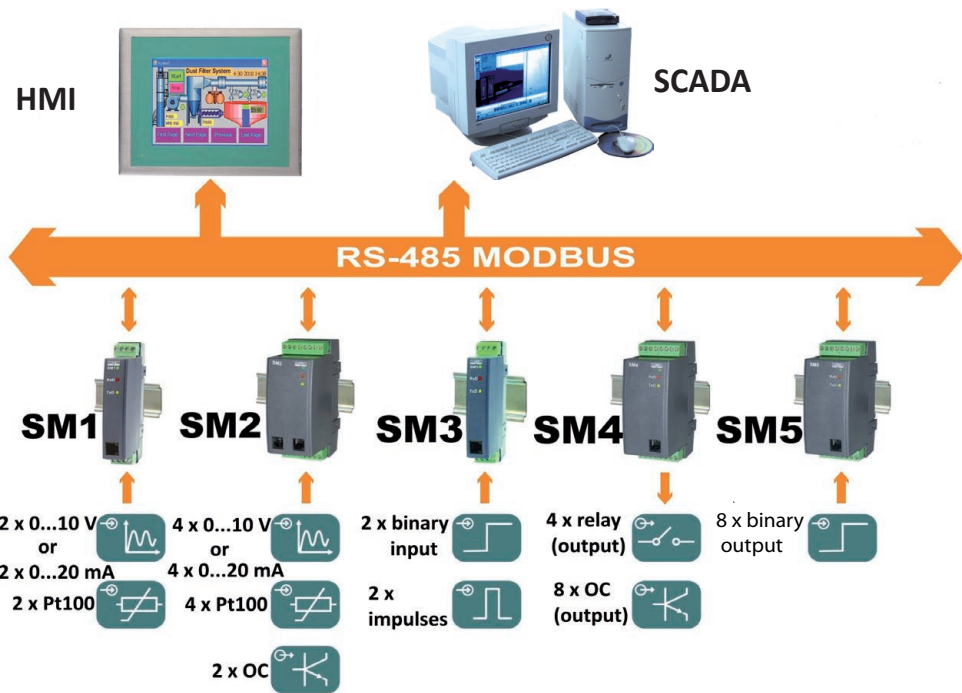
OUTPUTS:

RS 485

GALVANIC ISOLATION:



EXAMPLE OF APPLICATION



EXTERNAL FEATURES

Overall dimensions	22.5 x 120 x 100 mm	
Weight	< 0.3 kg	
Protection grade	IP40	from terminal side: IP20

DIGITAL INTERFACE

Interface type	Transmission protocol	Modes	Baud rate
RS-485	Modbus RTU	8N2,8E1,8O1,8N1	2400; 4800; 9600; 19.2 k;
	Modbus ASCII	8N1, 7E1, 7O1	38.4 k bit/s

INPUTS

Input type	Range
Logic	0 logic 0...2.4 V 1 logic 3.4...24 V
Counter	0..4 294 967 295 impulses; min. impulse time: 0.5 ms

OUTPUTS

Output type	Properties	Remarks
Digital interface	RS-485	Modbus ASCII/RTU

Export department:
Tel: +48 68 45 75 139/
276/ 305/ 386
Fax: +48 68 32 54 091
e-mail: export@lumel.com.pl

LUMEL S.A.
ul. Stubicka 1
65-127 Zielona Góra
POLAND
WWW.LUMEL.COM.PL

RATED OPERATING CONDITIONS

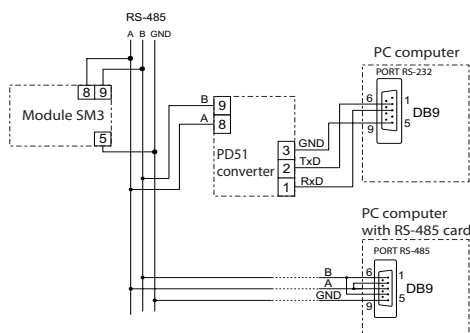
Supply voltage	85...253 V a.c./d.c. (40...400 Hz) or d.c. 20...50 V a.c./d.c. (40...400 Hz) or d.c.	Input power: ≤ 4 VA
Temperature	ambient: -10...23...55°C	
Relative humidity	< 95%	
Operating position	on a TS35 rail	
External magnetic field	< 400 A/m	

SAFETY AND COMPABILITY REQUIREMENTS

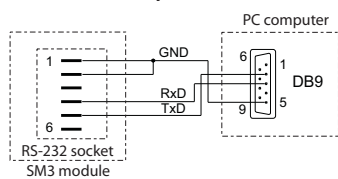
Electromagnetic compatibility	Noise immunity	acc. to EN 61000-6-2
	Noise emissions	acc. to EN 61000-6-4
Isolation between circuits		acc. to EN 61010-1
Pollution level	2	
Installation category	III	
Maximum phase-to-earth operating voltage	Supply: 300 V, input 50 V, Output: 50 V	
Altitude a.s.l.	2000 m	

CONNECTION DIAGRAMS

Connection way of the RS-485 interface

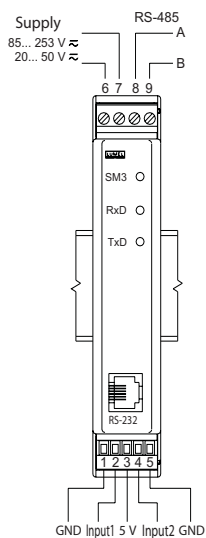


Connection way of the RS-232 interface

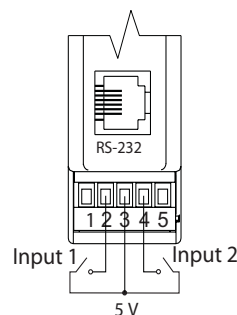


Electrical connection of external circuits

Electrical connection of the logic input module



Connection way of the logic inputs



SEE ALSO:



Free LPConfig software



Panel operatorski serii HMI.



SMC - Programmable controller

OUR OFFER



www.lumel.com.pl

ORDERING

Module of systems SM3	X	XX	X
Supply:			
85...253 V a.c./d.c.	1		
20...50 V a.c./d.c.	2		
Version:			
standard		00	
Acceptance tests:			
without additional quality inspection requirements			8
with an extra quality inspection certificate			7
acc. to customers requests*			X

* after agreeing with the manufacturer

Ordering example:

The code **SM3 - 1 00 7** means:

- SM3** - module of SM3 type
- 1** - supply voltage 85...253 V a.c./d.c.
- 00** - standard version
- 7** - with an extra quality inspection certificate

For more information about LUMEL's products please visit our website: www.lumel.com.pl

Export department:
Tel: +48 68 45 75 139/
276/ 305/ 386
Fax: +48 68 32 54 091
e-mail: export@lumel.com.pl

LUMEL S.A.
ul. Słubicka 1
65-127 Zielona Góra
POLAND
WWW.LUMEL.COM.PL